

Frag Jan Zuerst - Ask Jan First® GmbH & Co. KG
Dipl.-Ing. Jan Philipp Wüsten Preiler Ring 10 D 25774 Lehe
Telefon: 04882-6054551 Fax: 6054552 UstID: DE814610403
<http://www.fragjanzuerst.de> FJZ@die-wuestens.de

ATRA0121 Application note.

April 2014

Francis performed a lot of tests with this transformer:

Hi Jan,

I make several test with the small AF output transformator you made and these are perfect for most use in low power audio amplifiers for radio.

The several amp schematics shows the circuits used for the test with several power outputs.

You can use these schematics on your website if you.

regards

Francis

Francis hat unseren kleinen Ausgangstrafo, den ATRA0121 detailliert ausprobiert an etlichen Röhrentypen.

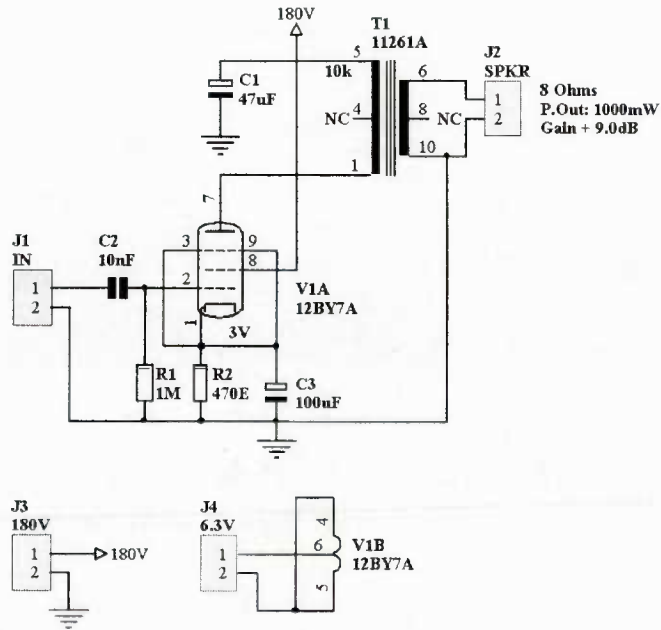
Seine Ergebnisse finden Sie auf den Folgeseiten.

Er eignet sich für zahlreiche Röhrentypen, in Batteriegeräten, aber auch in etlichen anderen Konfigurationen.

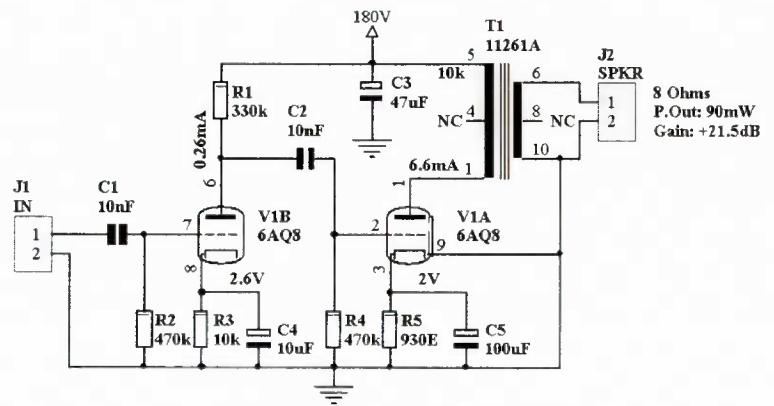
Francis à essayé notre transfo de sortie pour les petites puissances, ATRA0121, profondément.

Ses results sont à trouver ici.

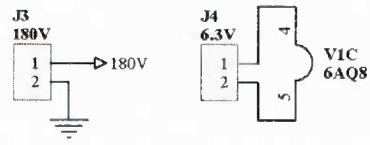
L'ATRA0121 marche bien dans les postes batterie mais aussi dans beaucoup des autres applications.



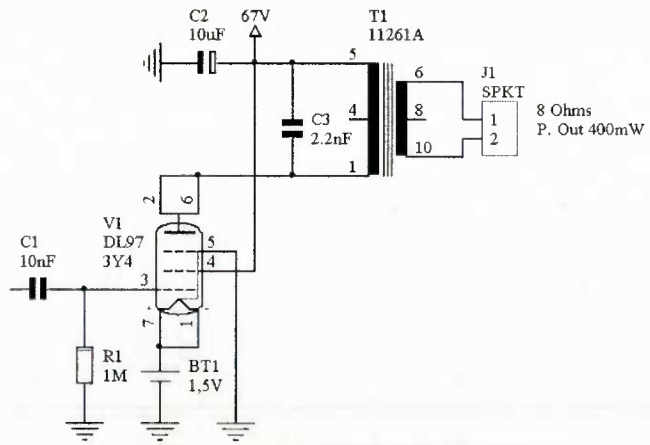
Title AUDIO AMPLIFIER WITH 12BY7A		
Size: A4	Number:	Revision:
Date: 19-Dec-2008	Sheet 0 of 0	
File: Amp12BY7A.sch		



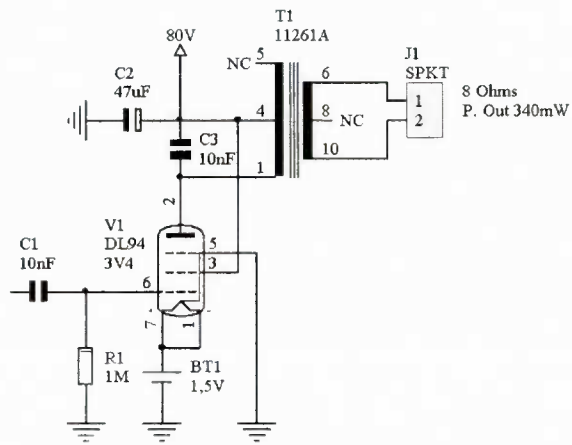
NOTE: 6AQ8 = ECC85



Title: AUDIO AMPLIFIER WITH 6AQ8 / ECC85		
Size: A4	Number:	Revision:
Date: 19-Dec-2008	Sheet 0 of 0	2
File: Amp6AQ8.Sch		

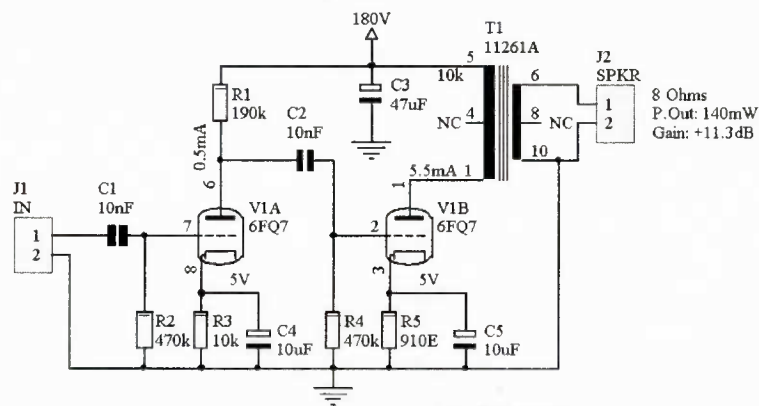


Title DL97 / 3Y4 AMPLIFIER			ELECTRONIX
Size: A4	Number:	Revision:	
Date: 19-Dec-2008	Sheet0 of 0		
File: AmpDL97.Sch			



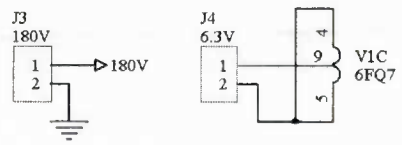
Title: **AUDIO AMPLIFIER WITH DL94 / 3V4**

Size: A4	Number:	Revision:
Date: 19-Dec-2008	Dw:	Sheet 0 of 0
File: AmpDL94.Sch		

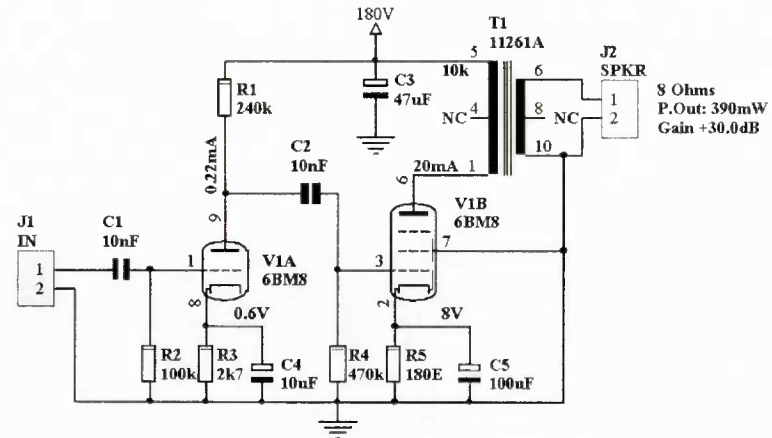


8 Ohms
P.Out: 140mW
Gain: +11.3dB

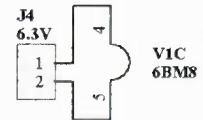
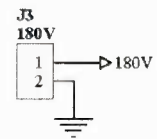
Note: 6FQ7 = 6CG7



Title AUDIO AMPLIFIER WITH 6FQ7		
Size: A4	Number:	Revision:
Date: 19-Dec-2008	Sheet 0 of 0	
File: Amp6FQ7.Sch		

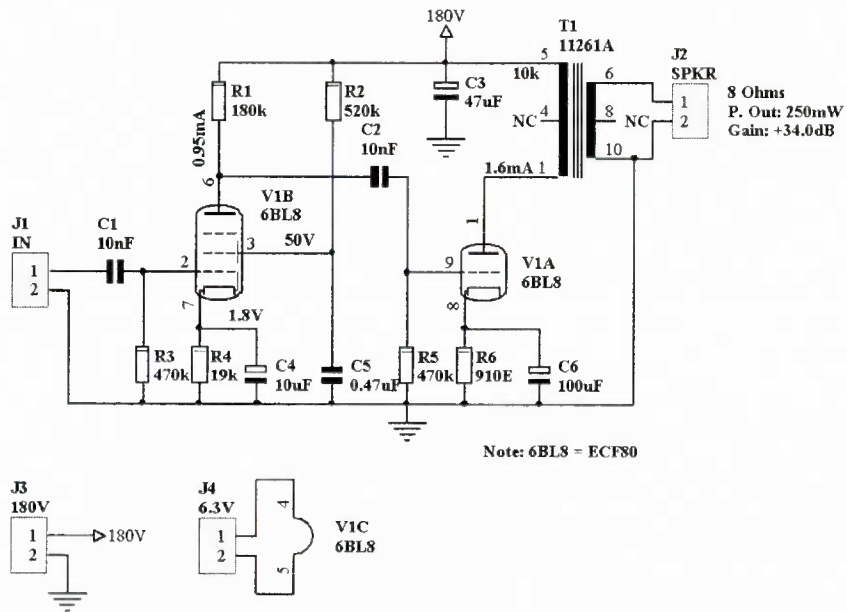


Note: 6BM8 = ECL82



Title: **AUDIO AMPLIFIER WITH 6BM8**

Size: A4	Number:	Revision:
Date: 19-Dec-2008	Sheet 0 of 0	
File: Amp6BM8.Sch		



Title **AUDIO AMPLIFIER WITH 6BL8**

Size: A4

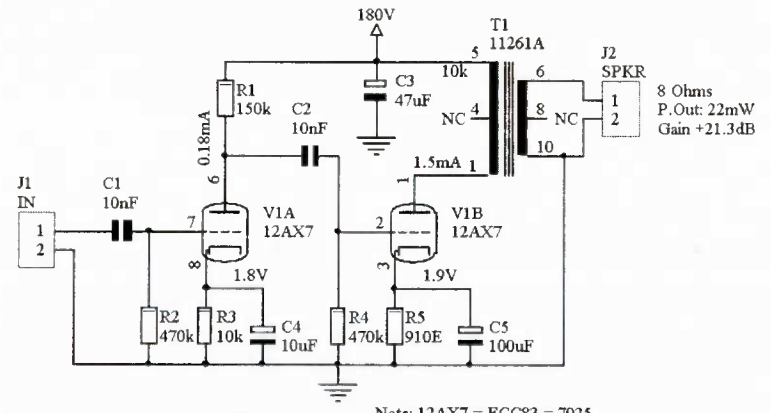
Number:

Revision:

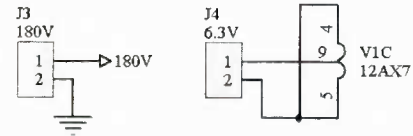
Date: 19-Dec-2008

Sheet 0 of 0

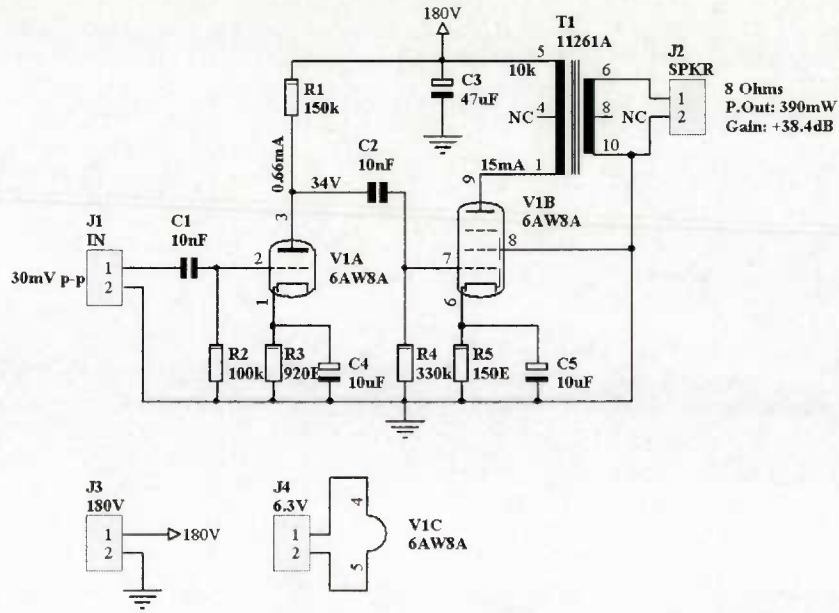
File: Amp6BL8.Sch1



Note: 12AX7 = ECC83 = 7025



Title: AUDIO AMPLIFIER WITH 12AX7		
Size: A4	Number:	Revision:
Date: 19-Dec-2008 1	Sheet 0 of 0	
File: Amp12AX7.Sch		



Title: AUDIO AMPLIFIER WITH 6AW8A		
Size: A4	Number:	Revision:
Date: 19-Dec-2008	Sheet 0	of 0
File: Amp6AW8A.Sch		