



Datasheet

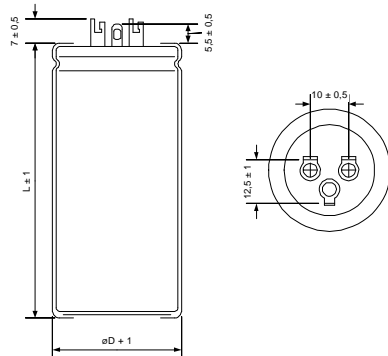
Customer : Campbell Collins

Drawing no. : 100002883

Page 1 / 1

BP Date : 23.01.02 10:31

Type : LFAZ10150035050



∅ D : 35 mm

L : 50 mm

Terminals : Solder lugs

Electrical Parameter

Rated capacitance (C_R) 100 Hz / 20 °C	100 + 100 μF	
Tolerance	-10 +30 %	
Rated voltage (U_R)	500 V	
Peak voltage (U_P) max. 5 x 1 min / h	550 V	
Reverse voltage (U_U) max. 1 s	2 V	
Leakage current (I_L) U_B / 5 min / 20 °C	400 μA	
ESR typ. 100 Hz / 20°C	0,95 Ω	
Tan δ typ. 100 Hz / 20°C	5 %	
Z max. 10 kHz / 20°C	2 Ω	
ESL typ.	20 nH	
Rated ripple current (I_R) 100 Hz / 85 °C	0,4 A	
Useful life @ $I_R, U_R, 85^\circ\text{C}$	4000 h	
IEC climatic category / standards	40 / 85 / 56	IEC 384
Applications	Tube amplifier	
Your article no. / Project		